

不得量取图纸尺寸施工。如有任何不事宜，请在施工前与设计师会商。
 DO NOT SCALE ANY DRAWINGS. THIS DRAWING IS THE PROPERTY OF THE DESIGNER AND MAY NOT BE USED WITHOUT HIS PERMISSION. REPORT ANY DISCREPANCIES TO THE DESIGNER PRIOR TO PROCEEDING WITH WORK.

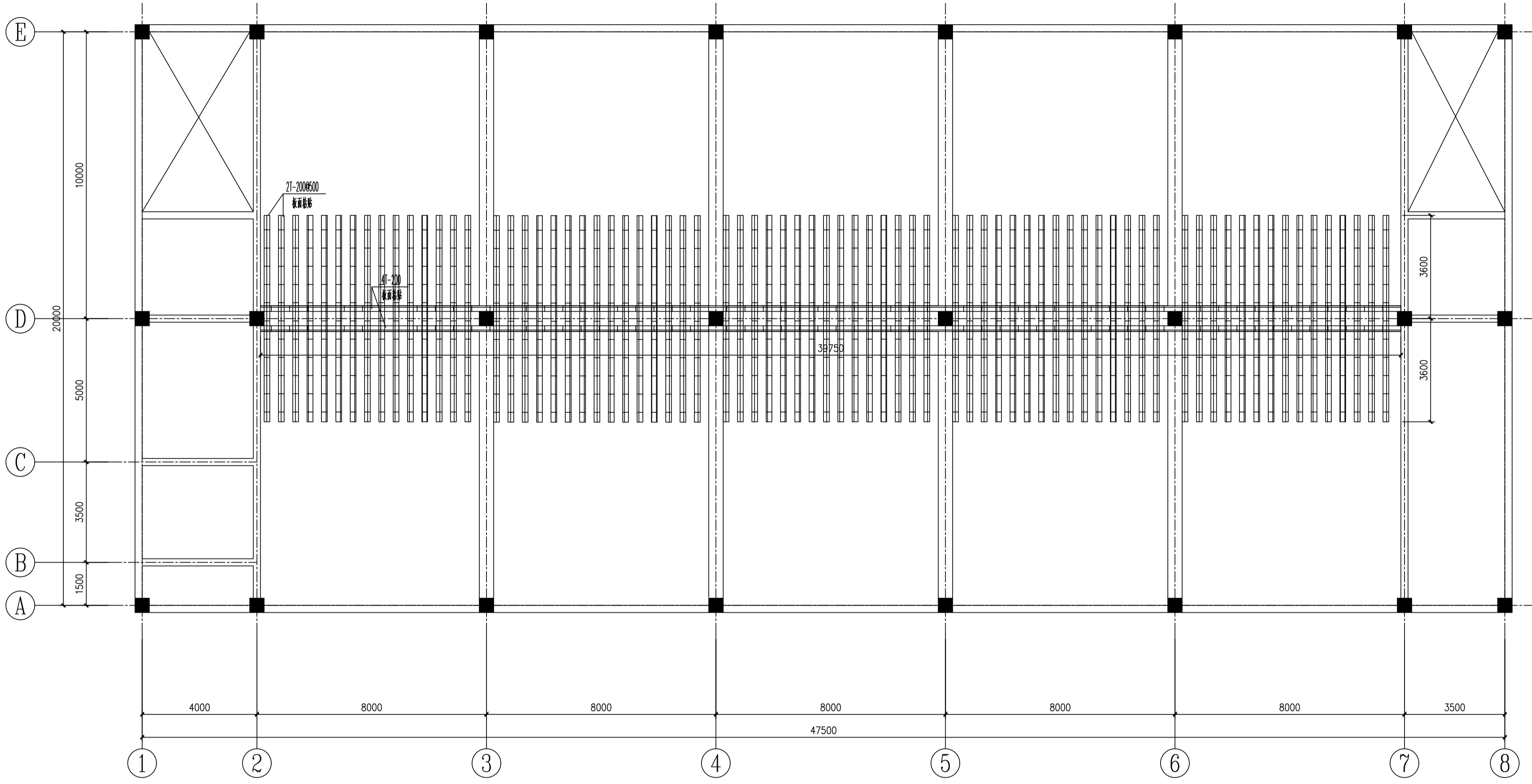
图纸会签

专业 (DISCIPLINE)	姓名 (NAME TYPED)	签名 (SIGNATURE)	日期 (DATE)
建筑 ARCHITECTURE			
结构 STRUCTURE			
给排水 WATER/WASTE WATER			
暖通 HVAC			
电气 ELECTRIC			

院出图章:
 PERMISSION STAMP

注册建筑师/工程师章:
 REGISTERED ARCHITECT/ENGINEER'S APPLX

说明:
 NOTES



7.800 3.900 二、三层结构加固平面图
 板面

不得量取图尺寸施工。如有任何不祥事宜，请在施工前与设计师沟通。
 DO NOT SCALE ANY DRAWINGS. THIS DRAWING IS THE PROPERTY OF THE DESIGNER AND MAY NOT BE USED WITHOUT HIS PERMISSION. REPORT ANY DISCREPANCIES TO THE DESIGNER PRIOR TO PROCEEDING WITH WORK.

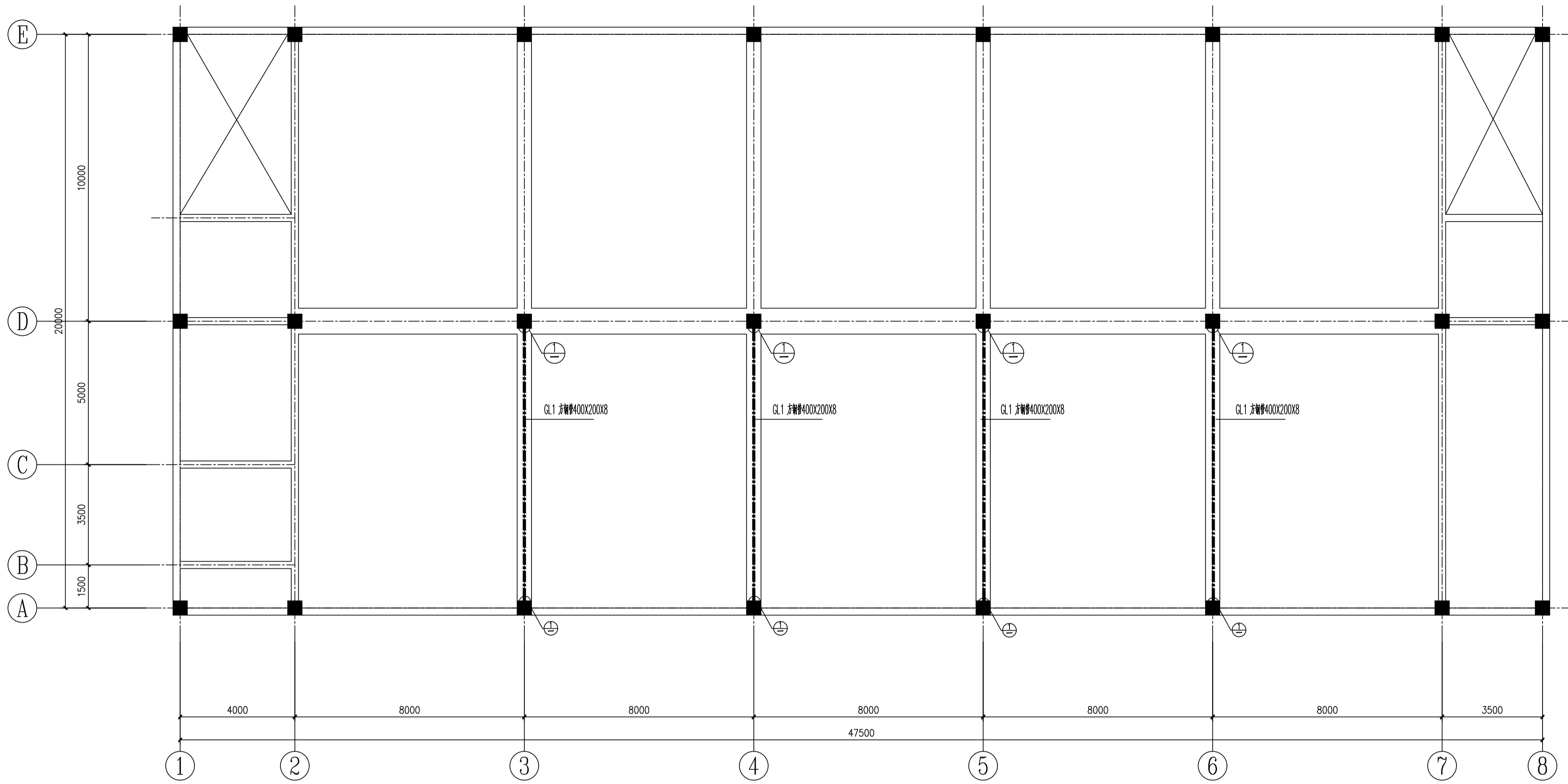
图纸会签
 DISCIPLINE JOINTLY SIGNED BY

(专业) (DISCIPLINE)	(姓名) (NAME TYPE)	(签名) (SIGNATURE)	(日期) (DATE)
建筑 ARCHITECTURE			
结构 STRUCTURE			
给排水 WATER/WASTE WATER			
暖通 HVAC			
电气 ELECTRIC			

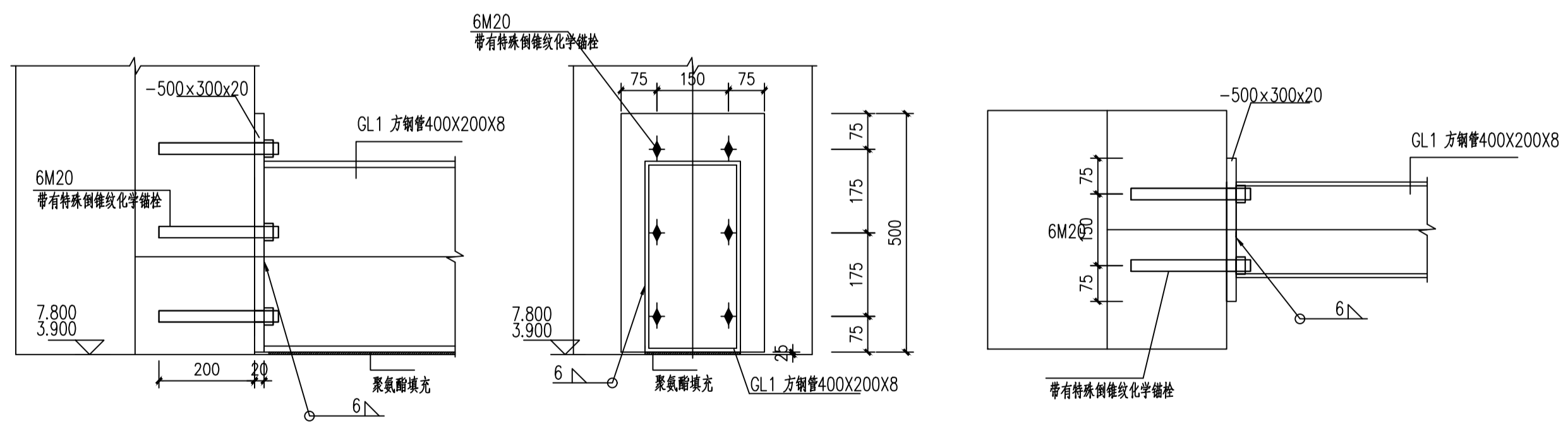
院出图章:
 PERMISSION STAMP

注册建筑师/工程师章:
 REGISTERED ARCHITECT/ENGINEER'S APPLX

说明:
 NOTES



二、三层新增钢梁平面图
 板面



① 钢梁与混凝土柱连接节点大样

不得量取图纸尺寸施工。如有任何不事宜，请在施工前与设计师会商。
 DO NOT SCALE ANY DRAWINGS. THIS DRAWING IS THE PROPERTY OF THE DESIGNER AND MAY NOT BE USED WITHOUT HIS PERMISSION. REPORT ANY DISCREPANCIES TO THE DESIGNER PRIOR TO PROCEEDING WITH WORK.

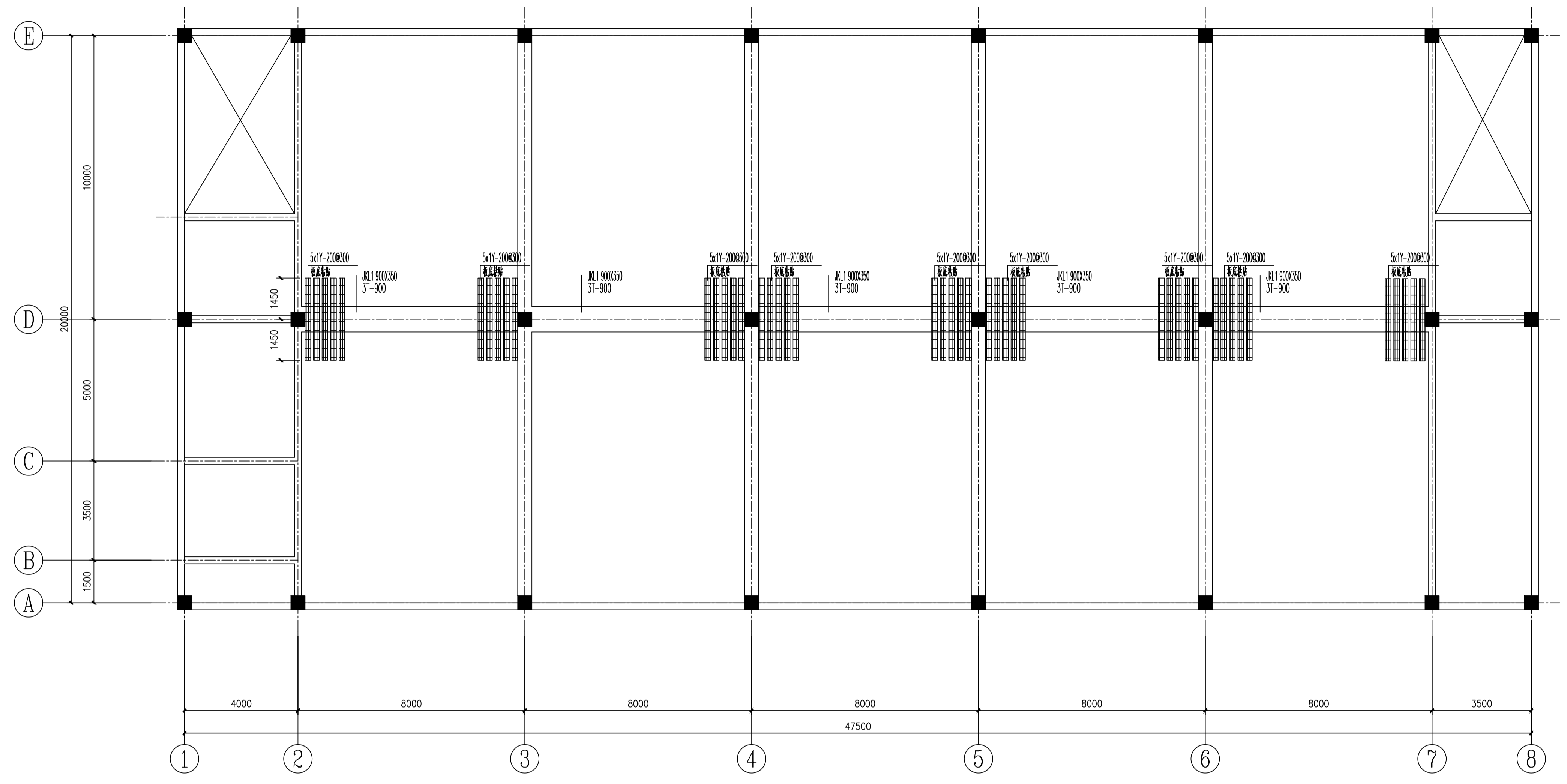
图纸会签
 DISCIPLINE JOINTLY SIGNED BY

专业 (DISCIPLINE)	姓名 (NAME TYPED)	签名 (SIGNATURE)	日期 (DATE)
建筑 ARCHITECTURE			
结构 STRUCTURE			
给排水 WATER/WASTE WATER			
暖通 HVAC			
电气 ELECTRIC			

院出图章:
 PERMISSION STAMP

注册建筑师/工程师章:
 REGISTERED ARCHITECT/ENGINEER'S APPLX

说明:
 NOTES



7.800 三层结构加固平面图
 梁底